

NEW

Fixed lens holder (Compact type)

LHF-S series

More compact than existing LHF series
 Fixable lenses range from thin lens to thick achromatic lens
 Optimal for optical system that folded back beam passes closely by lens holder or holders themselves are located close together.



- No scratches on lenses as resin (Derlin) screw rings are firmly clamped on lenses.
- Post with inch thread (1/4-20UNC) can be installed by replacing M6 threaded standard post and flipping the lens holder upside down.
- Switching the post used into pedestal base (PS-**) enables adjustment of optical-axis height for every 5mm. Adjustable in accordance with inch based height by using inch threaded side.

Information

- Post length can be altered with or without extra charge depending on the length.
- Convertible adapter nut may need for M4 and 8-32UNC.

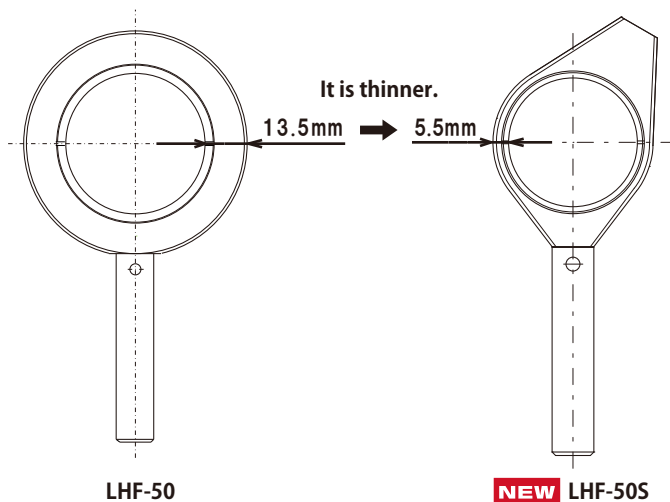
Attention

- Adapter nuts are optional with extra charge. Screwed in adapter nuts are undetachable without a tool.
- Resin particles may fall when resin screw ring was grazed against main body. Switch to aluminum screw ring (NR-**) when using in a clean room or with high power laser.

Specification

Part number	Price [JPYen]	Optics size [mm]	Optics Thickness [mm]	Primary material Finish	Weight [kg]
LHF-10S	3,800	φ 10	2 ~ 7	Aluminum Black anodized	0.06
LHF-15S	3,800	φ 15	2 ~ 10		0.07
LHF-20S	3,800	φ 20	2 ~ 13		0.08
LHF-25S	4,000	φ 25	2 ~ 11		0.09
LHF-25.4S	4,200	φ 25.4	2 ~ 7		0.08
LHF-30S	4,200	φ 30	2 ~ 7		0.09
LHF-30AS	4,200	φ 30	3 ~ 12		0.11
LHF-40S	4,500	φ 40	2 ~ 13		0.11
LHF-40AS	4,600	φ 40	3 ~ 15		0.12
LHF-50S	5,000	φ 50	3 ~ 13		0.11
LHF-50AS	5,500	φ 50	3 ~ 19		0.13
LHF-50.8S	5,800	φ 50.8	2 ~ 13		0.11
LHF-60AS	6,000	φ 60	3 ~ 16		0.13

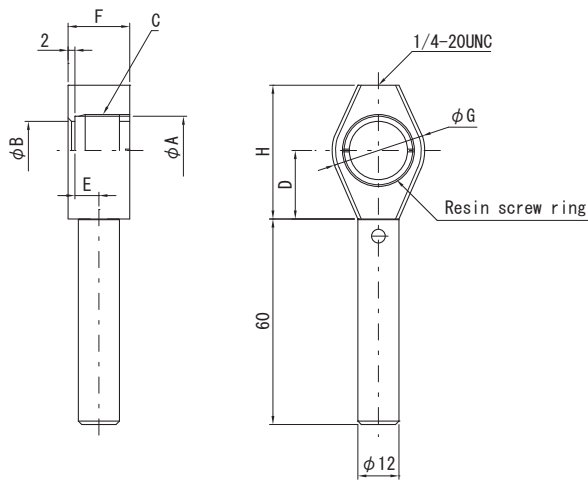
Comparison with conventional model



Outline drawing

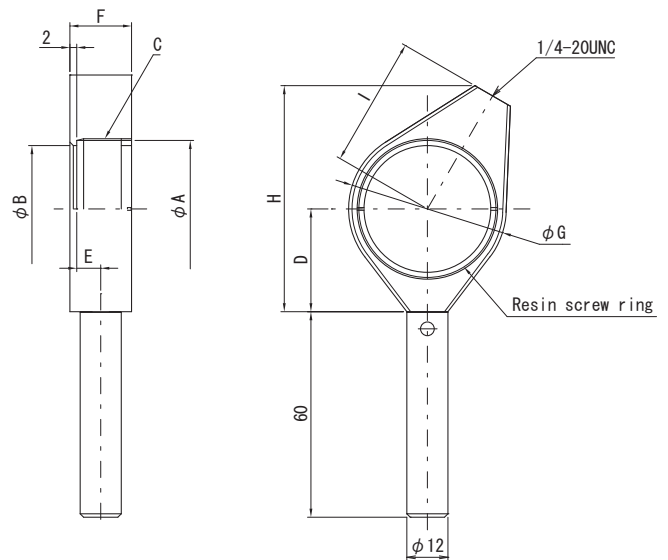
■ LHF-10S / 15S / 20S

☒ M6P1



■ LHF-25S / 25.4S / 30S / 30AS / 40S / 40AS / 50S / 50AS / 50.8S/60AS

☒ M6P1



Part Number	φ A [mm]	Clear Aperture φ B [mm]	C [mm]	D [mm]	E [mm]	F [mm]	φ G [mm]	H [mm]	I [mm]
LHF-10S	10	7	M10.85 P0.75	15	4	12	17	34.05	-
LHF-15S	15	12	M15.85 P0.75	20	5	15	20	39.05	-
LHF-20S	20	17	M20.85 P0.75	20	7	18	27	39.05	-
LHF-25S	25	22	M25.85 P0.75	25	6	16	32	50	25.4
LHF-25.4S	25.4	22	M26.25 P0.75	25	4	12	32	50	25.4
LHF-30S	30	26	M30.85 P0.75	25	4	12	36	50	25.4
LHF-30AS	30	26	M30.85 P0.75	25	7	18	36	50	25.4
LHF-40S	40	37	M40.85 P0.75	30	7	18	46	66	38.1
LHF-40AS	40	37	M40.85 P0.75	30	8	20	46	66	38.1
LHF-50S	50	46	M50.85 P0.75	35	7	18	57	71	38.1
LHF-50AS	50	46	M50.85 P0.75	35	10	24	57	71	38.1
LHF-50.8S	50.8	47	M51.65 P0.75	35	7	18	58	71	38.1
LHF-60AS	60	56	M60.85 P0.75	40	13.5	27	67	76	38.1